

GUERRACO

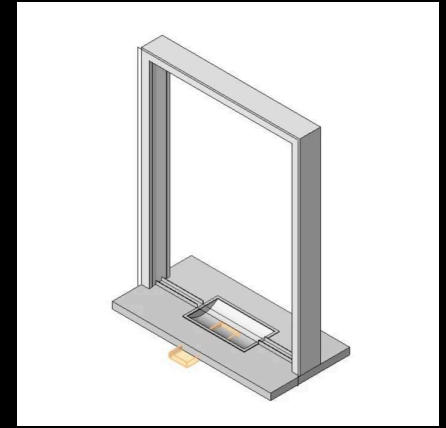
BALLISTICS



BALLISTIC TRANSACTION WINDOW

UL-RATED STAINLESS STEEL BARRIER

GUERRACO Ballistic Transaction Windows are built from high-grade brushed stainless steel with A36 steel reinforcement, available with UL Level 1, 2, or 3 ballistic glass. An innovative floating-glass design allows air circulation behind the barrier for natural sound transmission — no speak-thru required — increasing both safety and acoustic clarity. Manufactured in-house, each window is built to almost any design or size the application demands.



SECURE TRANSACTION BARRIER
UL LEVEL 1-3

BRUSHED STAINLESS STEEL FRAME WITH A36 REINFORCEMENT AND UL-RATED BALLISTIC GLASS

KEY FEATURES



STAINLESS STEEL CONSTRUCTION

High-grade brushed stainless steel frame with A36 steel reinforcement for lasting structural security.



UL-RATED BALLISTIC GLASS

Available with UL Level 1, 2, or 3 ballistic glass to match the threat level of the application.



FLOATING GLASS DESIGN

An innovative floating-glass mount allows air circulation behind the barrier for natural sound transmission.



NO SPEAK-THRU REQUIRED

Sound passes naturally without a speak-thru port — removing a weak point and improving acoustic clarity.

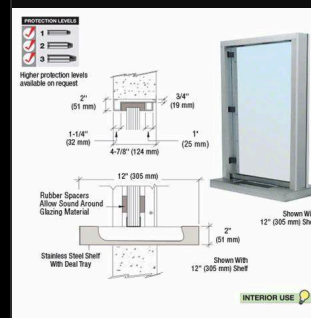


CUSTOM-MANUFACTURED IN-HOUSE

Built to almost any design or size, with matching architectural armor panels available for full perimeter security.



BUILT TO ORDER.



TESTED & CERTIFIED

UL-RATED BALLISTIC GLASS – LEVELS 1, 2 & 3

Frame and reinforcement built from brushed stainless steel and A36 steel, with ballistic glass available in UL Levels 1 through 3. GUERRACO also fabricates architectural ballistic armor panels for side walls, under-counter, and teller-hood protection. Each window is sized and quoted per application — call (817) 601-7079 for exact pricing to your dimensions.

IDEAL FOR:



BANKS & FINANCE



GOVERNMENT FACILITIES



RETAIL & CASHIERS



HEALTHCARE CLINICS



RECEPTION DESKS



SECURITY CHECKPOINTS

SPECIFICATIONS & MODELS

SPECIFICATION	DETAIL
PROTECTION LEVEL	UL Level 1, 2, or 3
SIZE	Custom — built to order
WEIGHT	Varies by configuration
CONSTRUCTION	Brushed Stainless Steel + A36
THREAT DEFEATED	UL-rated ballistic glass
PROTECTIVE COVERAGE	Full transaction opening

CALL NOW TO ORDER



(817) 601-7079